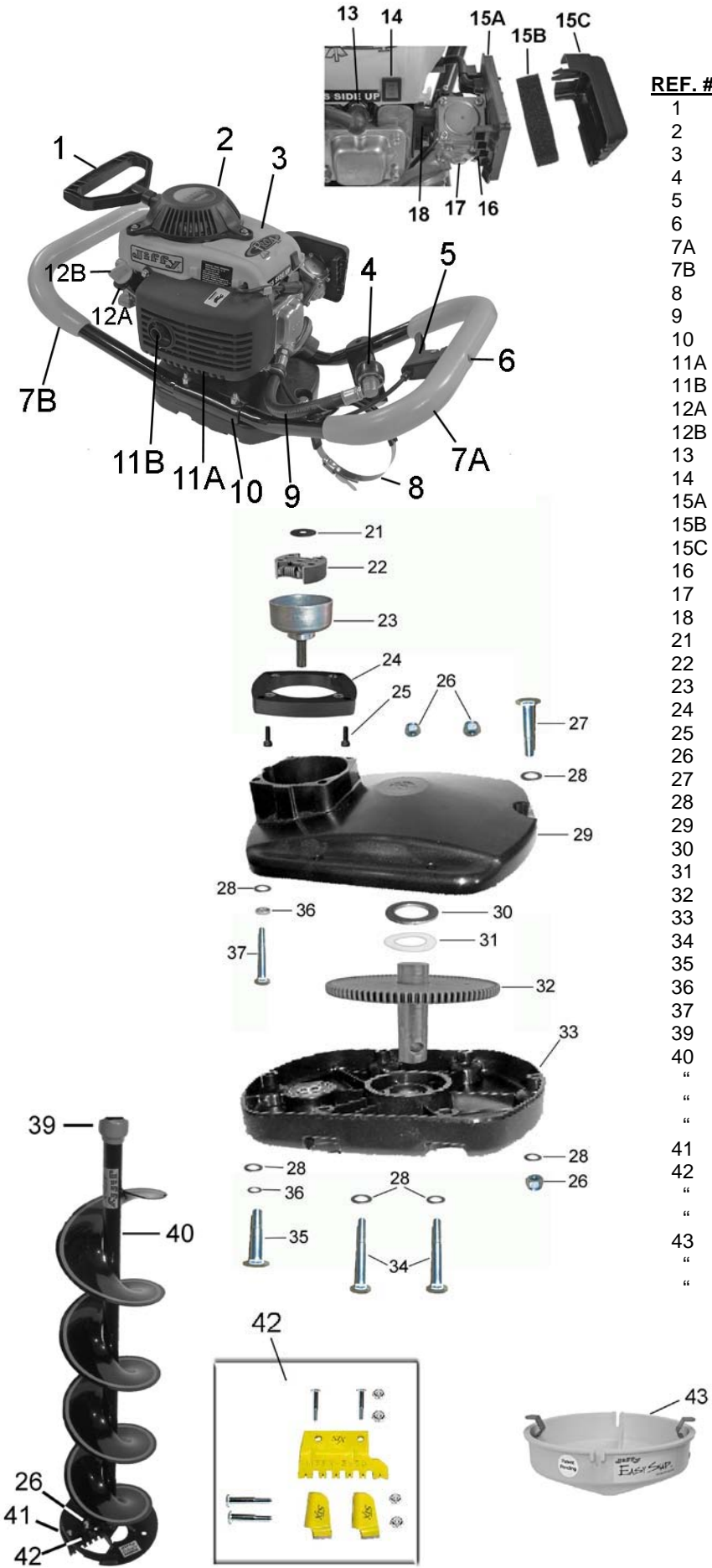


Pro4 Generation 2 Parts List



REF. #	PART #	DESCRIPTION	#USED
1	4180	Mitten Grip Recoil Handle	1
2	4304	Recoil Assembly	1
3	4322	Yellow Engine Shroud	1
4	4271	Vinyl Cap	1
5	4048	Throttle Control Assembly	1
6	4170	Machine Screw for Cushioned Handles	1
7A	4335	Cushion Handle & Cradle Asbly (Throttle Side)	1
7B	2783	Cushion Wing Handle	1
8	4316	Propane Tank Clamp	1
9	4366	Propane Delivery System	1
10	3722	Handle Plate	2
11A	4307	Muffler Cover	1
11B	4306	Muffler	1
12A	4349	Oil Fill Tube	1
12B	4345	Oil-Fill Dipstick with O-Ring	1
13	4290	Spark Plug	1
14	4323	On-Off Switch	1
15A	4339	Inside Air Cleaner Cover	1
15B	4338	Foam Air Filter Element	1
15C	4337	Outside Air Cleaner Cover	1
16	4327	Gasket	1
17	4363	Carburetor	1
18	4363	Carburetor Adaptor Kit	1
21	2768	Clutch Washer	1
22	2383	Clutch Driver	1
23	3681	Clutch Drum & Pinion Assembly	1
24	3973	Engine Adaptor	1
25	4053	Sockethead Capscrew	4
26	2336	Locknut	7
27	3228	Hex Capscrew	1
28	1689	Flat Washer	11
29	3720	Upper Gear Case Assembly	1
30	1670	Flat Washer	1
31	3634	Teflon® Washer	1
32	3707	Main Gear & Shaft Assembly	1
33	3721	Lower Gear Case Assembly	1
34	3351	Hex Capscrew	4
35	1683	Hex Capscrew	1
36	1119	Lock Washer	5
37	1996	Hex Capscrew	4
39	3996	Replacement E-Z Connect™ Collar w/ Pin	1
40	3730-PRO	6" STX PRO Drill	1
"	3731-PRO	8" STX PRO Drill	1
"	3732-PRO	9" STX PRO Drill	1
"	3733-PRO	10" STX PRO Drill	1
41	2355	Hex Capscrew	2
42	3588-STX	8" STX Blade Kit	1
"	3589-STX	9" STX Blade Kit	1
"	3590-STX	10" STX Blade Kit	1
43	4038	8" Easy Snap™ Blade Protector - Yellow	1
"	4039	9" Easy Snap™ Blade Protector - Yellow	1
"	4040	10" Easy Snap™ Blade Protector - Yellow	1

Use this part list if your regulator connects directly to the carburetor using a brass fitting ONLY.